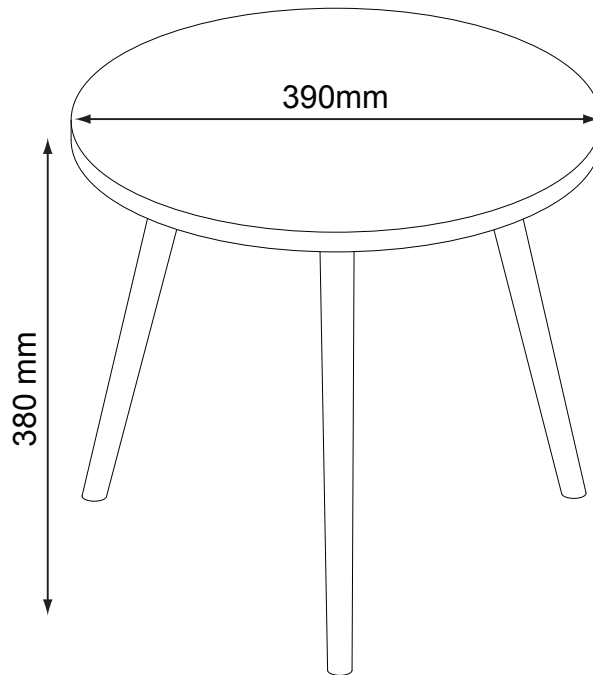




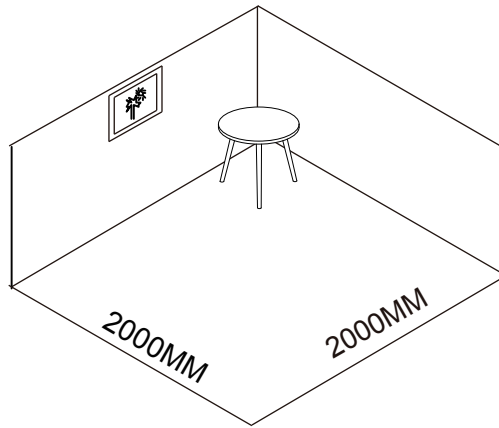
ASSEMBLY INSTRUCTION  
DANA 390 ROUND LAMP TABLE  
ITEM CODE 66952

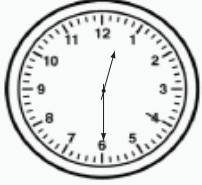




Imported by Amart Furniture Pty Ltd, Qld, Brisbane Australia.  
For any assistance with assembly or for missing parts please phone  
Amart Furniture, Customer Service Free call 1800 351 084



Imported by Amart Furniture Pty Ltd, Qld, Brisbane Australia.  
For any assistance with assembly or for missing parts please phone  
Amart Furniture, Customer Service Free call 1800 351 084

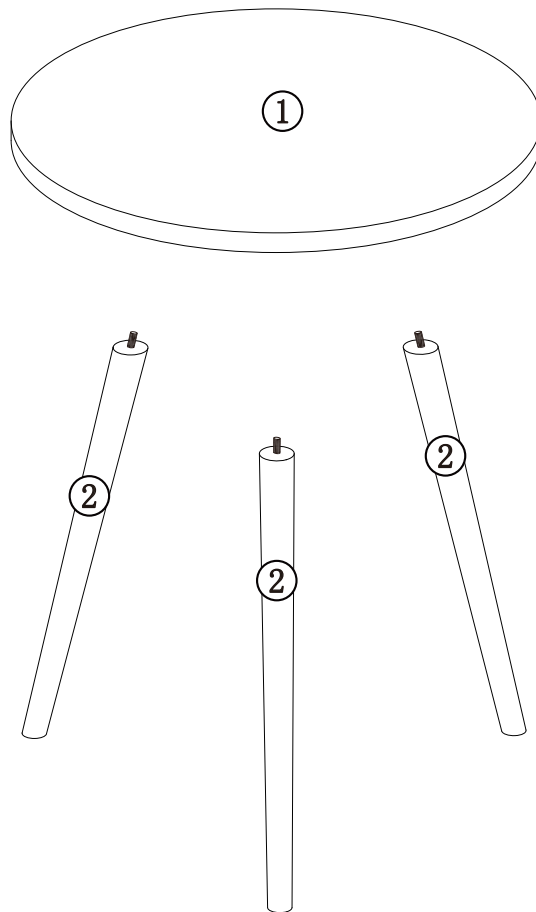




		
ALLOW 10 MINUTES	PEOPLE REQUIRED	
		
ADDITIONAL TOOLS REQUIRED		

**Assembly is to be carried out by a competent adult only.**  
**During assembly children should be kept away from the product due to possible risk of injury.**  
**Do not use this item if any components are missing or damaged.**  
**Please keep these instructions for future reference.**

# EXPLODED EXAMPLE





# CHECKLIST

## Before you start.....

1. Choose a clean, level, spacious assembly area. Avoid hard surfaces that may damage the product.
2. Check and ensure that you have all required contents for complete assembly.
3. Always read the assembly instructions carefully before beginning assembly.
4. The packaging and contents can be a choking hazard. Please keep out of reach of small children at all times.
5. Do not over tighten the bolts as this may damage the thread.



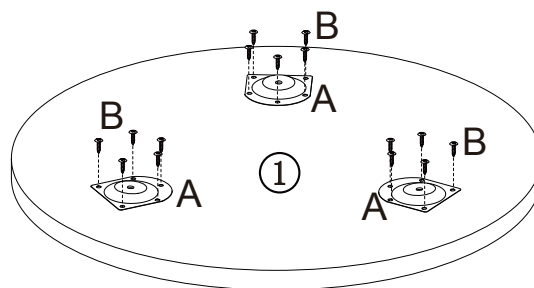
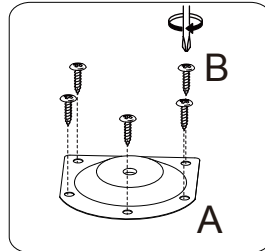
<b>A</b> <input type="checkbox"/> metal plate for leg  3xA	<b>B</b> <input type="checkbox"/> screw  M4x14mm 15xB
--	---

<b>PART NUMBER</b>	<b>QTY</b>	<b>DIMENSIONS (MM)</b>
1	1	390x390x15
2	3	360

# 1



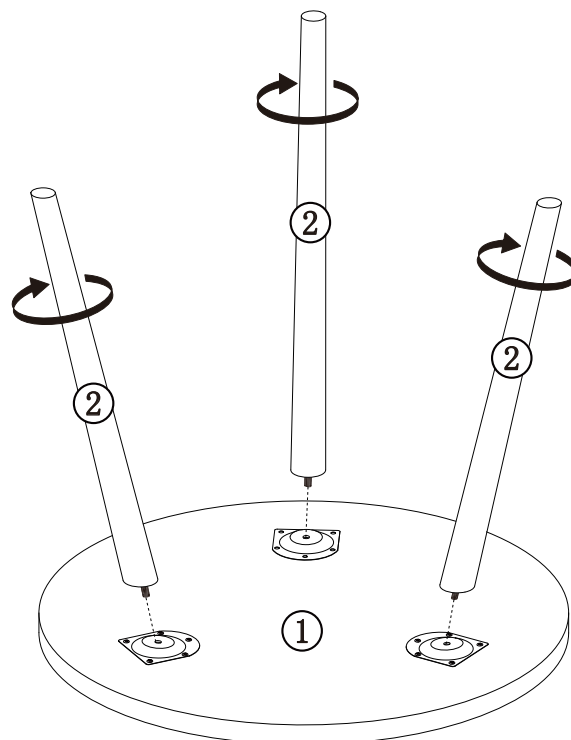
STEP 1 : Align metal plates to the predrilled holes.  
Fix metal plate (A) to top panel (1) with screws (B).



# 2

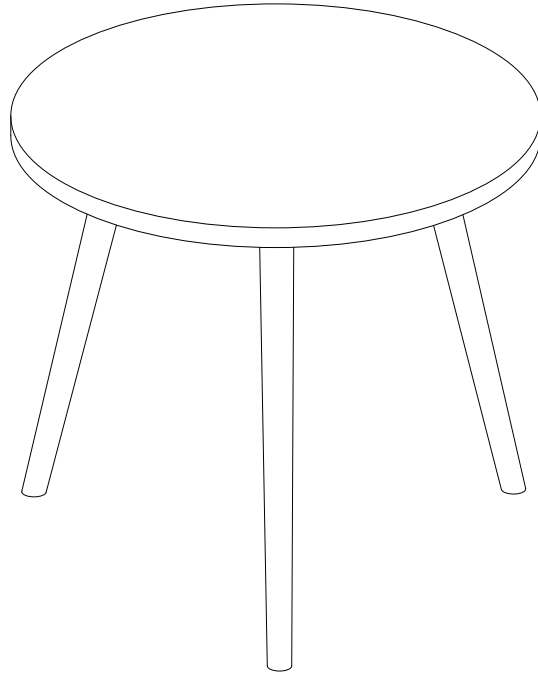


STEP 2 : Fix legs(2) to metal plates.



# 3

ASSEMBLY COMPLETE.



## **PRODUCT CARE:**

To protect your furniture, we suggest the following:

\*Avoid placing your furniture in direct sunlight.

\*Do not place furniture directly under windows.

\*Do not place sharp materials(knife, fork, etc) directly onto your furniture as sharp material may scrape and damage the finish.

Do not place material with high temperature directly onto the surface of your furniture.

\*Protective padding is strongly recommended when using your furniture .

\*Clean up spills quickly. Water left over a prolonged period of time may cause damage. Alcohol, perfume, nail polishes, aftershave and some medication may cause severe finish damage if not cleaned immediately.

\*Use a clean, soft, dry, lint free absorbant cloth to clean your furniture. Do not use any detergent as they may contain ingredients that may react and damage the finish.